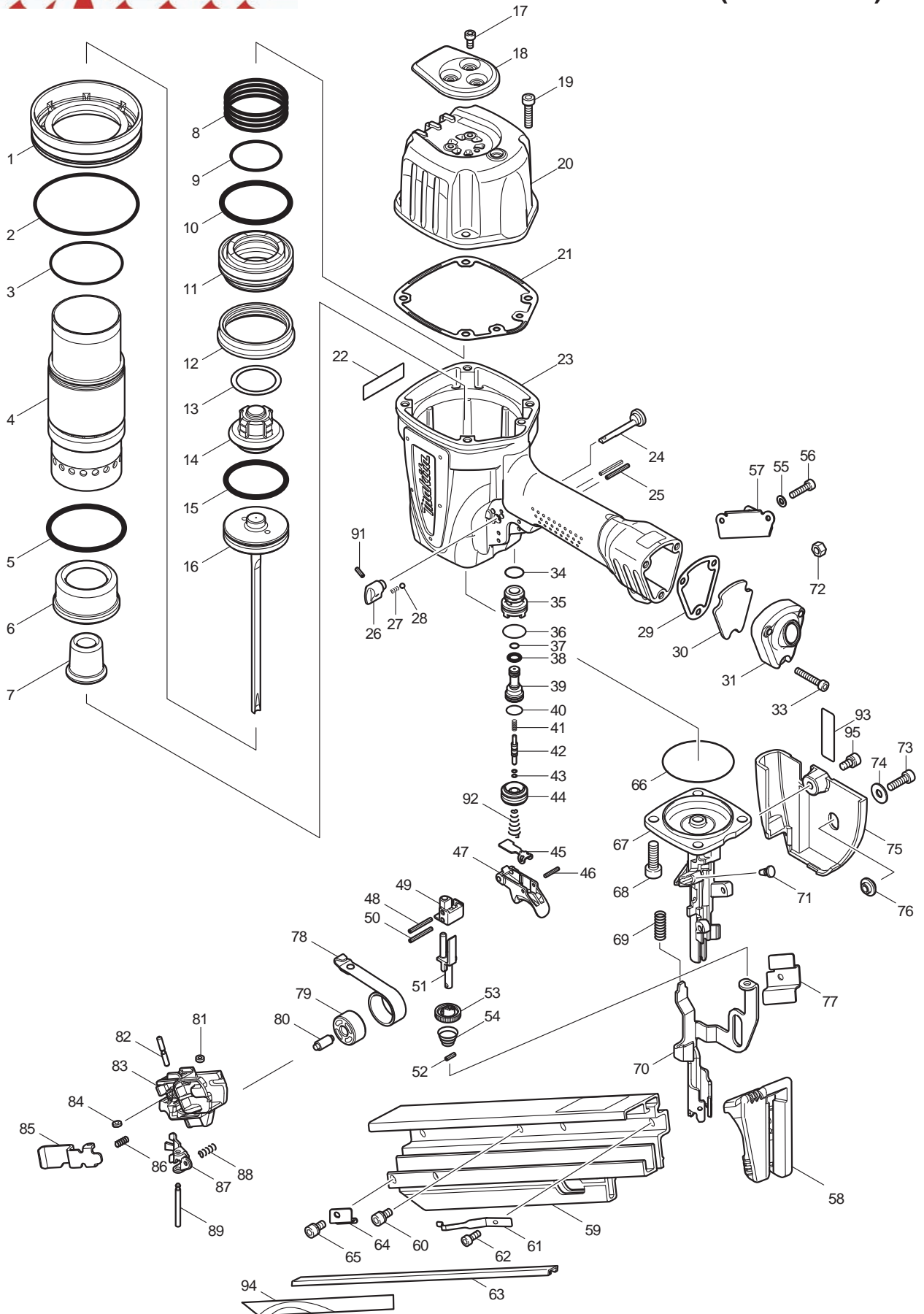




07 - 2010

AN943

FRAMING NAILER (CLIP HEAD)



| Item No | Type | Ref | Part No | SC Description | Qty | Unit |
|---------|------|------|----------|-----------------------------|-----|------|
| 1 | | | 419115-6 | CYLINDER SEPARATOR | 1 | PC. |
| 2 | | | 213809-3 | O RING 87 | 1 | PC. |
| 3 | | | 213668-5 | O RING 60 | 1 | PC. |
| 4 | | | 331700-4 | CYLINDER | 1 | PC. |
| 5 | | | 213667-7 | O RING 60 | 1 | PC. |
| 6 | | | 421680-3 | CUSHION F | 1 | PC. |
| 7 | | | 421687-9 | CUSHION GUIDE | 1 | PC. |
| 8 | | | 233243-1 | COMPRESSION SPRING 50 | 1 | PC. |
| 9 | | | 213504-5 | O RING 40 | 1 | PC. |
| 10 | | | 213669-3 | O RING 56 | 1 | PC. |
| 11 | | | 419114-8 | HEAD VALVE | 1 | PC. |
| 12 | | | 421925-9 | VALVE SEAT | 1 | PC. |
| 13 | | | 267742-1 | WASHER 34 | 1 | PC. |
| 14 | | | 421924-1 | CUSHION REAR | 1 | PC. |
| 15 | | | 213619-8 | O RING 49 | 1 | PC. |
| 16 | | | 154652-0 | DRIVER COMPLETE | 1 | PC. |
| 17 | | | 265499-8 | HEX.SOCKET HEAD BOLT M5X10 | 3 | PC. |
| 18 | | | 345618-3 | EXHAUST COVER | 1 | PC. |
| 19 | | | 922342-1 | HEX. SOCKET HEAD BOLT M6X25 | 4 | PC. |
| 20 | | | 317950-5 | TOP CAP | 1 | PC. |
| 21 | | | 162238-6 | TOPCAP GASKET | 1 | PC. |
| 23 | | | 154818-2 | HOUSING COMPLETE | 1 | PC. |
| | | INC. | 421921-7 | GRIP | 1 | PC. |
| | | INC. | 421922-5 | HOUSING BUMPER R | 1 | PC. |
| | | INC. | 421923-3 | HOUSING BUMPER L | 1 | PC. |
| | | INC. | 810681-0 | CAUTION LABEL | 1 | PC. |
| 24 | | | 324117-8 | LOCK PIN 8 | 1 | PC. |
| 25 | | | 951075-1 | SPRING PIN 3-28 | 2 | PC. |
| 26 | | | 417824-1 | LEVER 8 | 1 | PC. |
| 27 | | | 233368-1 | COMPRESSION SPRING 3 | 1 | PC. |
| 28 | | | 216008-6 | STEEL BALL 4 | 1 | PC. |
| 29 | | | 162239-4 | INLET CAP GASKET | 1 | PC. |
| 30 | | | 419356-4 | INLET FILTER | 1 | PC. |
| 31 | | | 317951-3 | INLET CAP | 1 | PC. |
| 33 | | | 922252-2 | HEX. SOCKET HEAD BOLT M5X30 | 3 | PC. |
| 34 | | | 213176-6 | O RING 14 | 1 | PC. |
| 35 | | | 417695-6 | TRIGGER VALVE GUIDE | 1 | PC. |
| 36 | | | 213262-3 | O RING 18 | 1 | PC. |
| 37 | | | 213039-6 | O RING 6 | 1 | PC. |
| 38 | | | 213040-1 | O RING 8 | 1 | PC. |
| 39 | | | 317959-7 | PILOT VALVE | 1 | PC. |
| 40 | | | 213122-9 | O RING 12 | 1 | PC. |
| 41 | | | 233239-2 | COMPRESSION SPRING 3 | 1 | PC. |
| 42 | | | 324591-0 | TRIGGER VALVE STEM | 1 | PC. |
| 43 | | | 213044-3 | O RING 3 | 2 | PC. |
| 44 | | | 318010-6 | TRIGGER VALVE CASE | 1 | PC. |
| 45 | | | 345687-4 | IDLER | 1 | PC. |
| 46 | | | 258004-8 | SPRING PIN 2.5-16 | 1 | PC. |
| 47 | | | 419418-8 | TRIGGER | 1 | PC. |
| 48 | | | 951075-1 | SPRING PIN 3-28 | 1 | PC. |
| 49 | | | 310165-3 | HOLDER | 1 | PC. |
| 50 | | | 951075-1 | SPRING PIN 3-28 | 1 | PC. |
| 51 | | | 310166-1 | STOPPER | 1 | PC. |

| Item No | Type | Ref | Part No | SC Description | Qty | Unit |
|---------|------|------|----------|--------------------------------|-----|------|
| 52 | | | 951054-9 | SPRING PIN 3-10 | 1 | PC. |
| 53 | | | 310163-7 | ADJUSTER | 1 | PC. |
| 54 | | | 231978-8 | CONICAL COMP. SPRING 9-16 | 1 | PC. |
| 55 | | | 267300-3 | FLAT WASHER 5 | 2 | PC. |
| 56 | | | 266369-4 | HEX SOCKET HEAD BOLT M5X20 | 2 | PC. |
| 57 | | | 345626-4 | JOINT | 1 | PC. |
| 58 | | | 419117-2 | MAGAZINE CAP | 1 | PC. |
| 59 | | | 154821-3 | MAGAZINE COMPLETE | 1 | PC. |
| | | INC. | 810799-7 | CAUTION LABEL | 1 | PC. |
| 60 | | | 266370-9 | HEX SOCKET HEAD BOLT M6X12 | 2 | PC. |
| 61 | | | 345619-1 | NAIL STOPPER | 1 | PC. |
| 62 | | | 922217-4 | HEX. SOCKET HEAD BOLT M5X14 | 1 | PC. |
| 63 | | | 345620-6 | MAGAZINE RAIL | 1 | PC. |
| 64 | | | 344765-7 | HOLDER | 1 | PC. |
| 65 | | | 266370-9 | HEX SOCKET HEAD BOLT M6X12 | 1 | PC. |
| 66 | | | 213654-6 | O RING 60 | 1 | PC. |
| 67 | | | 310164-5 | DRIVER GUIDE | 1 | PC. |
| 68 | | | 266368-6 | HEX SOCKET HEAD BOLT M8X25 | 4 | PC. |
| 69 | | | 233463-7 | COMPRESSION SPRING 10 | 1 | PC. |
| 70 | | | 345622-2 | CONTACT ARM | 1 | PC. |
| 71 | | | 421418-6 | RUBBER PIN 9.5 | 1 | PC. |
| 72 | | | 931302-2 | HEX. NUT M6 | 2 | PC. |
| 73 | | | 265498-0 | HEX.SOCKET HEAD BOLT M6X20 | 1 | PC. |
| 74 | | | 267314-2 | FLAT WASHER 7 | 1 | PC. |
| 75 | | | 419118-0 | COVER | 1 | PC. |
| 76 | | | 267743-9 | SHOLDER WASHER 6 | 1 | PC. |
| 77 | | | 344766-5 | HOLDER | 1 | PC. |
| 78 | | | 163456-9 | SPIRAL SPRING COMPLETE | 1 | PC. |
| 79 | | | 419112-2 | SPRING GUIDE | 1 | PC. |
| 80 | | | 256428-2 | PIN 5-8 | 1 | PC. |
| 81 | | | 262054-7 | URETHANE RING 3 | 1 | PC. |
| 82 | | | 256770-1 | PIN 4 | 1 | PC. |
| 83 | | | 419116-4 | PUSHER LEVER | 1 | PC. |
| 84 | | | 262054-7 | URETHANE RING 3 | 1 | PC. |
| 85 | | | 345673-5 | LOCK PLATE | 1 | PC. |
| 86 | | | 231309-1 | COMPRESSION SPRING 5 | 1 | PC. |
| 87 | | | 345621-4 | PUSHER | 1 | PC. |
| 88 | | | 233038-2 | COMPRESSION SPRING 5 | 1 | PC. |
| 89 | | | 256490-7 | PIN 4 | 1 | PC. |
| 91 | | | 951054-9 | SPRING PIN 3-10 | 1 | PC. |
| 92 | | | 233908-5 | CONICAL COMPRESSION SPRING4-11 | 1 | PC. |
| 93 | | | 810097-9 | INDICATION LABEL | 1 | PC. |
| 94 | | | 819181-7 | INDICATION LABEL | 1 | PC. |
| 95 | | | 266370-9 | HEX SOCKET HEAD BOLT M6X12 | 1 | PC. |

ACCESSORIES

- See catalogue or visit www.makita.ca for more accessories -

| | | | | | | |
|-----|---|------|----------|------------------------|---|-----|
| A01 | | | 122742-7 | HOOK ASSEMBLY | 1 | PC. |
| | | INC. | 233442-5 | COMPRESSION SPRING 10 | 1 | PC. |
| | | INC. | 257757-6 | SLEEVE 10 | 1 | PC. |
| | | INC. | 313125-4 | JOINT | 1 | PC. |
| | | INC. | 951063-8 | SPRING PIN 3-16 | 1 | PC. |
| A02 | 1 | | 192517-8 | SAFETY GOGGLES - N/L/A | 1 | PC. |
| | 2 | | 195246-2 | SAFETY GOGGLES | 1 | PC. |

| Item No | Type | Ref | Part No | SC Description | Qty | Unit |
|----------------|-------------|------------|----------------|-----------------------|------------|-------------|
| A03 | | | 181434-7 | OIL SUPPLY 30CC | 1 | PC. |
| A04 | | | 824841-8 | PLASTIC CARRYING CASE | 1 | PC. |
| A05 | | | 194522-1 | FIRST AID KIT | 1 | PC. |